



WORLD STANDARD **COMPRESSORS**

Compressor Recording Data Book

- **ARIEL RESPONSE CENTER**
 - **SPARE PARTS**
 - **ORDER ENTRY**
-

☎ **US/Canada**.....888.397.7766

☎ **International**.....+1 740.397.3602

@ **Ariel Response Center**.....arc@arielcorp.com

@ **Spare Parts**.....spareparts@arielcorp.com



ARIEL CORPORATION World Standard Compressors

35 Blackjack Road

Mount Vernon, OH 43050

www.arielcorp.com

■ HEADQUARTERS

☎ Business.....740.397.0311

☎ Fax.....740.397.3856

🌐 Web.....www.arielcorp.com

■ ARIEL RESPONSE CENTER

■ SPARE PARTS

■ ORDER ENTRY

☎ US/Canada.....888.397.7766

☎ International.....+1 740.397.3602

Gas Gathering, Process Gas, Pipeline, Gas Storage, CNG,

and every other gas compression application

FROM WELLHEAD TO BURNER, ARIEL EQUALS COMPRESSION

CONVERSIONS

AREA in² x 0.00064516 = meter², or m²
 in² x 6.4516 = centimeter², or cm²

FLOW GAS MMSCFD x 0.310 = N_m³/sec
 SCFM x 1.608 = N_m³/hr
 N_m³/hr x 1116.65 = MMSCFD

FLOW LIQUID GPM x 0.0630902 = L/s = dm³/s
 GPM x 0.227125 = m³/h

FORCE lbf x 4.44822 = N

HEAT BTU x 1.05506 = kJ

LENGTH in x 25.4000 = mm
 ft x 0.304800 = m

MASS lb x 0.453592 = kg

TORQUE LB x FT x 1.35583 = Nm
 LB x IN x 0.112985 = Nm

PISTON SPEED (PS = 2*stroke*RPM) / 12
 *PS = average piston speed, feet per minute

POWER HP x 0.745700 = kW

PRESSURE psi x 6894.757 = Pa

..... Pa x 0.000145 = psi

..... psi x 6.894757 = kPa

..... kPa x 0.145 = psi

..... bar x 100,000 = Pa

..... Pa x 0.00001 = bar

..... bar x 100 = kPa

..... kPa x 0.01 = bar

..... psi x 68.94757 = mbar

..... mbar x 0.0145 = psi

..... psi x 0.06894757 = bar

..... bar x 14.5 = psi

SPEED FPM x 0.005080 = m/s

..... RPM /60 =rev/s

TEMPERATURE (°F - 32) / 1.8 = °C

..... (°C x 9/5) + 32 = °F

VOLUME gal x 3.78541 = L

ARIEL CORPORATION • 740-397-0311

	JGM/JGP	JGN/JGQ	JG/JGA	JGR	JGJ
Number of Throws	1, 2	1, 2	2, 4/2, 4, 6	2, 4	2, 4, 6
Stroke (inches)	3.5/3.0	3.5/3.0	3.5/3.0	4.25	3.5
RPM	1500/1800	1500/1800	1500/1800	1200	1800
HP/Throw	85	126/140	126/140	215	310
Rod Load (lbs)					
Total	12,000	18,000/20,000		32,000	42,000
Tension	6,000	9,000/10,000		16,000	21,000
Compression	7,000	10,000/11,000		20,000	23,000
Main Diameter	3.250	3.250		4.125	
Crankshaft	Forged Steel		Forged Steel		
Connecting Rod	Ductile Iron		Forged Steel		
Crosshead	Gray Iron		Ductile Iron		
Crosshead Bushing	N/A		Bronze		
CRod Length		8.250			10.250
Rod Diameter		1.125			1.500
Frame Use	Same frame	Same	Same	Same	Same frame

ATP-001 07/2014

ARIEL CORPORATION • www.arielcorp.com

	JGH	JGE	JGK/JGT	JGC/JGD/JGF	KBZ/KBU	KBV/KBB
Number of Throws	2, 4	2, 4, 6	2, 4, 6	2, 4, 6	2, 4, 6	4, 6
Stroke (inches)	4.5	4.5	5.5/4.5	6.5/5.5/5.0	6.75/5.75	8.5/7.25
RPM	1200	1500	1200/1500	1000/1200/1400	1000/1200	750/900
HP/Throw	340	535	635/650	1035	1300	1667
Rod Load (lbs)						
Total	48,000	60,000	74,000	114,000	150,000	190,000
Tension	24,000	30,000	37,000	57,000	75,000	95,000
Compression	30,000	32,000	40,000	60,000	80,000	100,000
Main Diameter	5.625	5.625	5.625	7.125	8.0	9.125
Crankshaft			Forged Steel			
Connecting Rod	DI		Forged Steel			
Crosshead	Gray Iron		Ductile Iron			
Crosshead Bushing	N/A		Bronze			
CRod Length		13.750		17.000	18.500	23.000
Rod Diameter		2.000		2.500	2.875	3.125
Frame Use	Same frame	Same	Same	Same	Same	Same

General Information

Location _____
 Elevation _____
 Field Operator _____
 Phone _____

Compressor Information

Model _____ F# _____
 Commission Date _____
 Cycle Time _____
 Frame Oil _____
 Cylinder Oil _____

Driver Information

Serial No. _____
 Type _____
 Rated RPM _____
 Actual RPM _____
 Rotation _____

STAGE INFORMATION

Inlet Temp _____
 Inlet Pressure _____
 Dis. Temp. _____
 Dis Pressure _____

Inlet Temp _____
 Inlet Pressure _____
 Dis. Temp. _____
 Dis Pressure _____

Inlet Temp _____
 Inlet Pressure _____
 Dis. Temp. _____
 Dis Pressure _____

Inlet Temp _____
 Inlet Pressure _____
 Dis. Temp. _____
 Dis Pressure _____

Gas Information

Type _____
 % CO₂ _____
 %H₂ _____
 Specific Gravity _____
 Flow _____

Summary

Total Rod Load _____

KEY

F# = Frame Serial Number
 C = Cylinder Serial Number
 U = Unloader/Pocket Serial Number

Class _____
 Pkg _____
 Wiper _____
 Rings _____
 W/B _____

MAWP _____
 U _____
 % Clear _____

Class _____
 Pkg _____
 Wiper _____
 Rings _____
 W/B _____

MAWP _____
 U _____
 % Clear _____

C
 Bore
 Suc
 Dis

DRIVE END

C
 Bore
 Suc
 Dis

C
 Bore
 Suc
 Dis

Class _____
 Pkg _____
 Wiper _____
 Rings _____
 W/B _____

MAWP _____
 U _____
 % Clear _____

Class _____
 Pkg _____
 Wiper _____
 Rings _____
 W/B _____

MAWP _____
 U _____
 % Clear _____

C
 Bore
 Suc
 Dis

AUX END

C
 Bore
 Suc
 Dis

C
 Bore
 Suc
 Dis

Class _____
 Pkg _____
 Wiper _____
 Rings _____
 W/B _____

MAWP _____
 U _____
 % Clear _____

Class _____
 Pkg _____
 Wiper _____
 Rings _____
 W/B _____

MAWP _____
 U _____
 % Clear _____

C
 Bore
 Suc
 Dis

AUX END

C
 Bore
 Suc
 Dis

C
 Bore
 Suc
 Dis

COMPRESSOR INFORMATION

Parts Book Location

Summary

Key Parts Information

NOTES:

MODEL _____ F# _____

General Information

Location _____
 Elevation _____
 Field Operator _____
 Phone _____

Compressor Information

Model _____ F# _____
 Commission Date _____
 Cycle Time _____
 Frame Oil _____
 Cylinder Oil _____

Driver Information

Serial No. _____
 Type _____
 Rated RPM _____
 Actual RPM _____
 Rotation _____

STAGE INFORMATION

Inlet Temp _____
 Inlet Pressure _____
 Dis. Temp. _____
 Dis Pressure _____

Inlet Temp _____
 Inlet Pressure _____
 Dis. Temp. _____
 Dis Pressure _____

Inlet Temp _____
 Inlet Pressure _____
 Dis. Temp. _____
 Dis Pressure _____

Inlet Temp _____
 Inlet Pressure _____
 Dis. Temp. _____
 Dis Pressure _____

Gas Information

Type _____
 % CO₂ _____
 %H₂S _____
 Specific Gravity _____
 Flow _____

Summary

Total Rod Load _____

KEY

F# = Frame Serial Number
 C = Cylinder Serial Number
 U = Unloader/Pocket Serial Number

Class _____
 Pkg _____
 Wiper _____
 Rings _____
 W/B _____

MAWP _____
 U _____
 % Clear _____

Class _____
 Pkg _____
 Wiper _____
 Rings _____
 W/B _____

MAWP _____
 U _____
 % Clear _____

C
 Bore
 Suc
 Dis

DRIVE END

C
 Bore
 Suc
 Dis

C
 Bore
 Suc
 Dis

Class _____
 Pkg _____
 Wiper _____
 Rings _____
 W/B _____

MAWP _____
 U _____
 % Clear _____

Class _____
 Pkg _____
 Wiper _____
 Rings _____
 W/B _____

MAWP _____
 U _____
 % Clear _____

C
 Bore
 Suc
 Dis

AUX END

C
 Bore
 Suc
 Dis

C
 Bore
 Suc
 Dis

Class _____
 Pkg _____
 Wiper _____
 Rings _____
 W/B _____

MAWP _____
 U _____
 % Clear _____

Class _____
 Pkg _____
 Wiper _____
 Rings _____
 W/B _____

MAWP _____
 U _____
 % Clear _____

C
 Bore
 Suc
 Dis

AUX END

C
 Bore
 Suc
 Dis

C
 Bore
 Suc
 Dis

COMPRESSOR INFORMATION

Parts Book Location

Summary

Key Parts Information

NOTES:

MODEL _____ F# _____

General Information

Location _____
 Elevation _____
 Field Operator _____
 Phone _____

Compressor Information

Model _____ F# _____
 Commission Date _____
 Cycle Time _____
 Frame Oil _____
 Cylinder Oil _____

Driver Information

Serial No. _____
 Type _____
 Rated RPM _____
 Actual RPM _____
 Rotation _____

STAGE INFORMATION

Inlet Temp _____
 Inlet Pressure _____
 Dis. Temp. _____
 Dis Pressure _____

Inlet Temp _____
 Inlet Pressure _____
 Dis. Temp. _____
 Dis Pressure _____

Inlet Temp _____
 Inlet Pressure _____
 Dis. Temp. _____
 Dis Pressure _____

Inlet Temp _____
 Inlet Pressure _____
 Dis. Temp. _____
 Dis Pressure _____

Gas Information

Type _____
 % CO₂ _____
 %H₂ _____
 Specific Gravity _____
 Flow _____

Summary

Total Rod Load _____

KEY

F# = Frame Serial Number
 C = Cylinder Serial Number
 U = Unloader/Pocket Serial Number

Class _____
 Pkg _____
 Wiper _____
 Rings _____
 W/B _____

MAWP _____
 U _____
 % Clear _____

Class _____
 Pkg _____
 Wiper _____
 Rings _____
 W/B _____

MAWP _____
 U _____
 % Clear _____

C
 Bore
 Suc
 Dis

DRIVE END

C
 Bore
 Suc
 Dis

C
 Bore
 Suc
 Dis

Class _____
 Pkg _____
 Wiper _____
 Rings _____
 W/B _____

MAWP _____
 U _____
 % Clear _____

Class _____
 Pkg _____
 Wiper _____
 Rings _____
 W/B _____

MAWP _____
 U _____
 % Clear _____

C
 Bore
 Suc
 Dis

AUX END

C
 Bore
 Suc
 Dis

C
 Bore
 Suc
 Dis

Class _____
 Pkg _____
 Wiper _____
 Rings _____
 W/B _____

MAWP _____
 U _____
 % Clear _____

Class _____
 Pkg _____
 Wiper _____
 Rings _____
 W/B _____

MAWP _____
 U _____
 % Clear _____

C
 Bore
 Suc
 Dis

AUX END

C
 Bore
 Suc
 Dis

C
 Bore
 Suc
 Dis

COMPRESSOR INFORMATION

Parts Book Location

Summary

Key Parts Information

NOTES:

MODEL _____ F# _____

General Information

Location _____
 Elevation _____
 Field Operator _____
 Phone _____

Compressor Information

Model _____ F# _____
 Commission Date _____
 Cycle Time _____
 Frame Oil _____
 Cylinder Oil _____

Driver Information

Serial No. _____
 Type _____
 Rated RPM _____
 Actual RPM _____
 Rotation _____

STAGE INFORMATION

Inlet Temp _____
 Inlet Pressure _____
 Dis. Temp. _____
 Dis Pressure _____

Inlet Temp _____
 Inlet Pressure _____
 Dis. Temp. _____
 Dis Pressure _____

Inlet Temp _____
 Inlet Pressure _____
 Dis. Temp. _____
 Dis Pressure _____

Inlet Temp _____
 Inlet Pressure _____
 Dis. Temp. _____
 Dis Pressure _____

Gas Information

Type _____
 % CO₂ _____
 %H₂ _____
 Specific Gravity _____
 Flow _____

Summary

Total Rod Load _____

KEY

F# = Frame Serial Number
 C = Cylinder Serial Number
 U = Unloader/Pocket Serial Number

Class _____
 Pkg _____
 Wiper _____
 Rings _____
 W/B _____

MAWP _____
 U _____
 % Clear _____

Class _____
 Pkg _____
 Wiper _____
 Rings _____
 W/B _____

MAWP _____
 U _____
 % Clear _____

C
 Bore
 Suc
 Dis

DRIVE END

C
 Bore
 Suc
 Dis

MAWP _____
 U _____
 % Clear _____

Class _____
 Pkg _____
 Wiper _____
 Rings _____
 W/B _____

MAWP _____
 U _____
 % Clear _____

Class _____
 Pkg _____
 Wiper _____
 Rings _____
 W/B _____

MAWP _____
 U _____
 % Clear _____

C
 Bore
 Suc
 Dis

AUX END

C
 Bore
 Suc
 Dis

MAWP _____
 U _____
 % Clear _____

Class _____
 Pkg _____
 Wiper _____
 Rings _____
 W/B _____

MAWP _____
 U _____
 % Clear _____

Class _____
 Pkg _____
 Wiper _____
 Rings _____
 W/B _____

MAWP _____
 U _____
 % Clear _____

C
 Bore
 Suc
 Dis

AUX END

C
 Bore
 Suc
 Dis

MAWP _____
 U _____
 % Clear _____

COMPRESSOR INFORMATION

Parts Book Location

Summary

Key Parts Information

NOTES:

MODEL _____ F# _____

General Information

Location _____
 Elevation _____
 Field Operator _____
 Phone _____

Compressor Information

Model _____ F# _____
 Commission Date _____
 Cycle Time _____
 Frame Oil _____
 Cylinder Oil _____

Driver Information

Serial No. _____
 Type _____
 Rated RPM _____
 Actual RPM _____
 Rotation _____

STAGE INFORMATION

Inlet Temp _____
 Inlet Pressure _____
 Dis. Temp. _____
 Dis Pressure _____

Inlet Temp _____
 Inlet Pressure _____
 Dis. Temp. _____
 Dis Pressure _____

Inlet Temp _____
 Inlet Pressure _____
 Dis. Temp. _____
 Dis Pressure _____

Inlet Temp _____
 Inlet Pressure _____
 Dis. Temp. _____
 Dis Pressure _____

Gas Information

Type _____
 % CO₂ _____
 %H₂ _____
 Specific Gravity _____
 Flow _____

Summary

Total Rod Load _____

KEY

F# = Frame Serial Number
 C = Cylinder Serial Number
 U = Unloader/Pocket Serial Number

Class _____
 Pkg _____
 Wiper _____
 Rings _____
 W/B _____

MAWP _____
 U _____
 % Clear _____

Class _____
 Pkg _____
 Wiper _____
 Rings _____
 W/B _____

MAWP _____
 U _____
 % Clear _____

C
 Bore
 Suc
 Dis

DRIVE END

C
 Bore
 Suc
 Dis

C
 Bore
 Suc
 Dis

Class _____
 Pkg _____
 Wiper _____
 Rings _____
 W/B _____

MAWP _____
 U _____
 % Clear _____

Class _____
 Pkg _____
 Wiper _____
 Rings _____
 W/B _____

MAWP _____
 U _____
 % Clear _____

C
 Bore
 Suc
 Dis

AUX END

C
 Bore
 Suc
 Dis

C
 Bore
 Suc
 Dis

Class _____
 Pkg _____
 Wiper _____
 Rings _____
 W/B _____

MAWP _____
 U _____
 % Clear _____

Class _____
 Pkg _____
 Wiper _____
 Rings _____
 W/B _____

MAWP _____
 U _____
 % Clear _____

C
 Bore
 Suc
 Dis

AUX END

C
 Bore
 Suc
 Dis

C
 Bore
 Suc
 Dis

COMPRESSOR INFORMATION

Parts Book Location

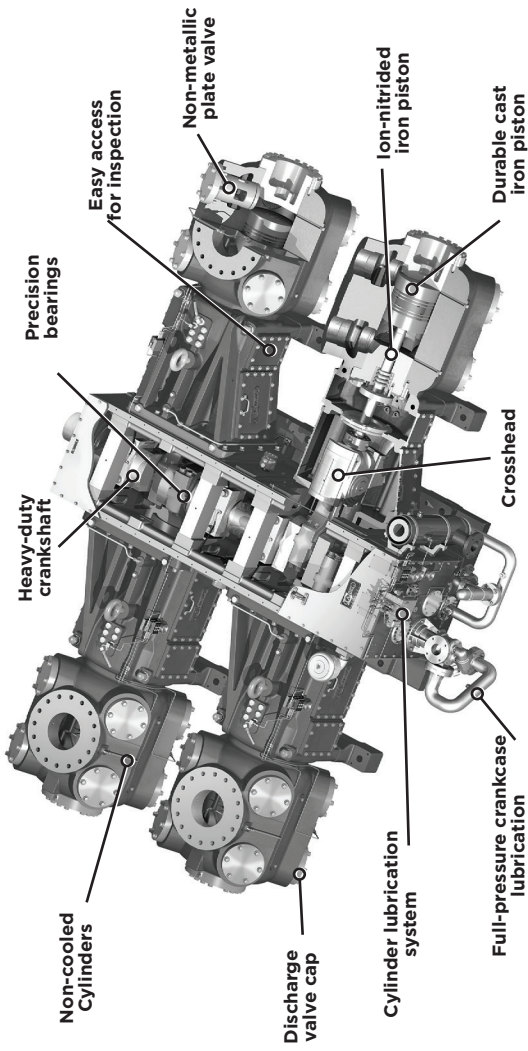
Summary

Key Parts Information

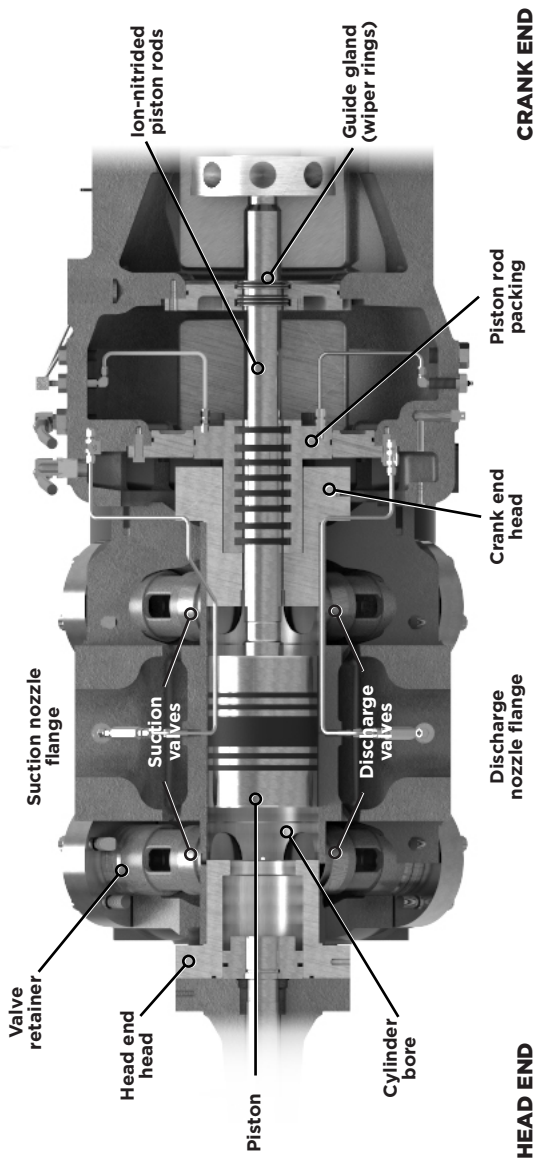
NOTES:

MODEL _____ F# _____

ARIEL RECIPROCATING COMPRESSOR



ARIEL COMPRESSOR CYLINDERS





ARIEL CORPORATION

ARIEL RESPONSE CENTER

US/Canada.....888.397.7766

International.....+1 740.397.3602

Ariel Response Center.....arc@arielcorp.com

ARIEL CORPORATION

35 Blackjack Road
Mount Vernon, OH 43050
www.arielcorp.com