



ARIEL CORPORATION

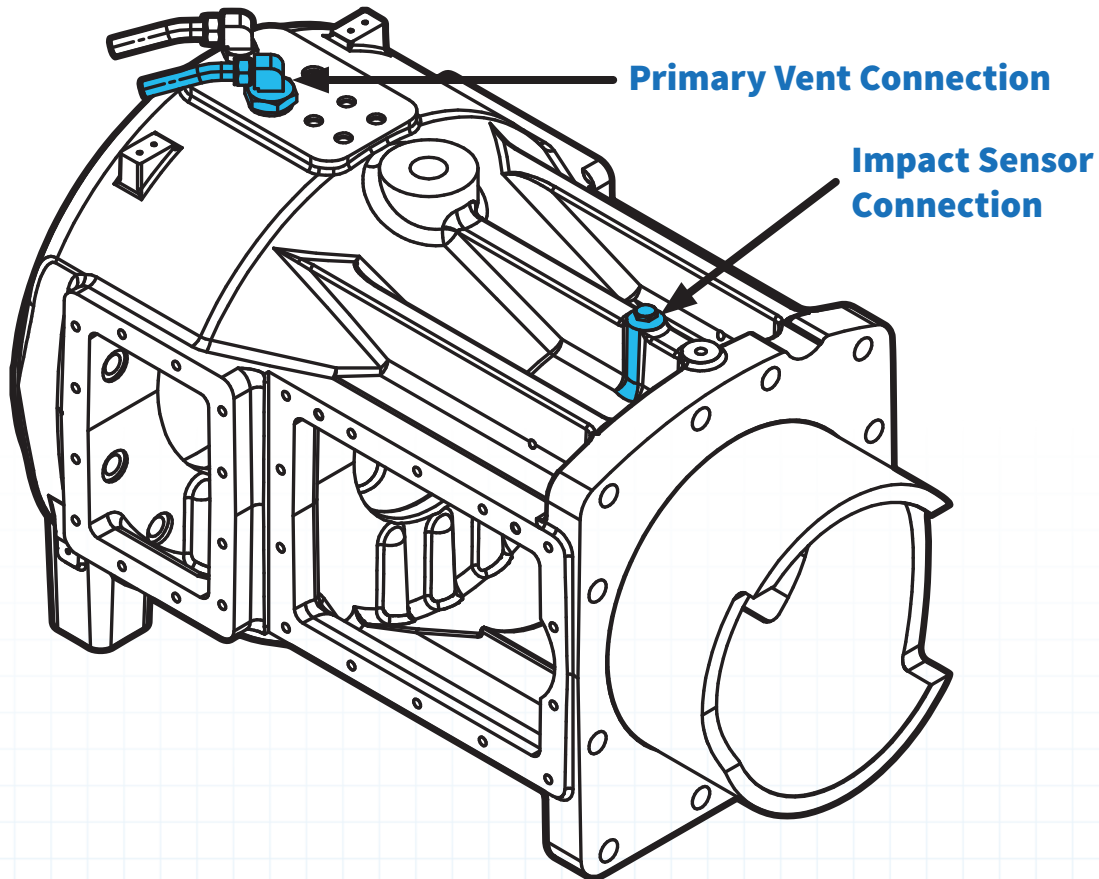
Product Release Announcement

35 Blackjack Road

Mount Vernon, OH 43050

www.arielcorp.com

JGC:D:F / KBZ:U / KBB:V Guide Changes

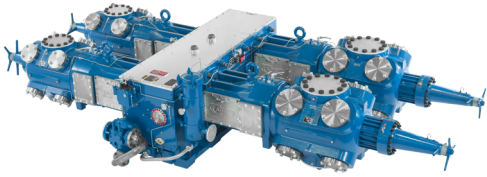


- Vent connection meets API-618 requirements
 - 1-1/2" NPT on primary compartment
- 1/2" NPT impact sensor connection provided on all large frame guides
- Updated outline drawings available
- Begins shipping in June 2015

Large Frame Guide Changes

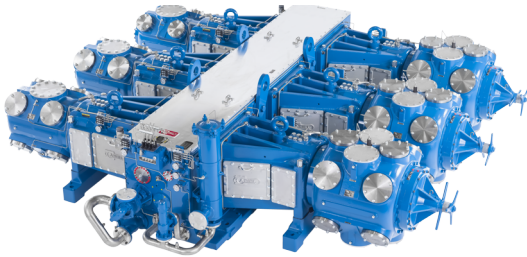
Large Frame Guide Changes

1-1/2" NPT Primary Compartment Vent Connection



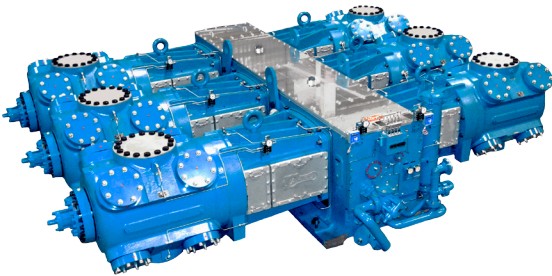
JGC/D/F

- Increased from current 1" NPT connection
- Ships with 3/4" vent tube installed



KBZ/U

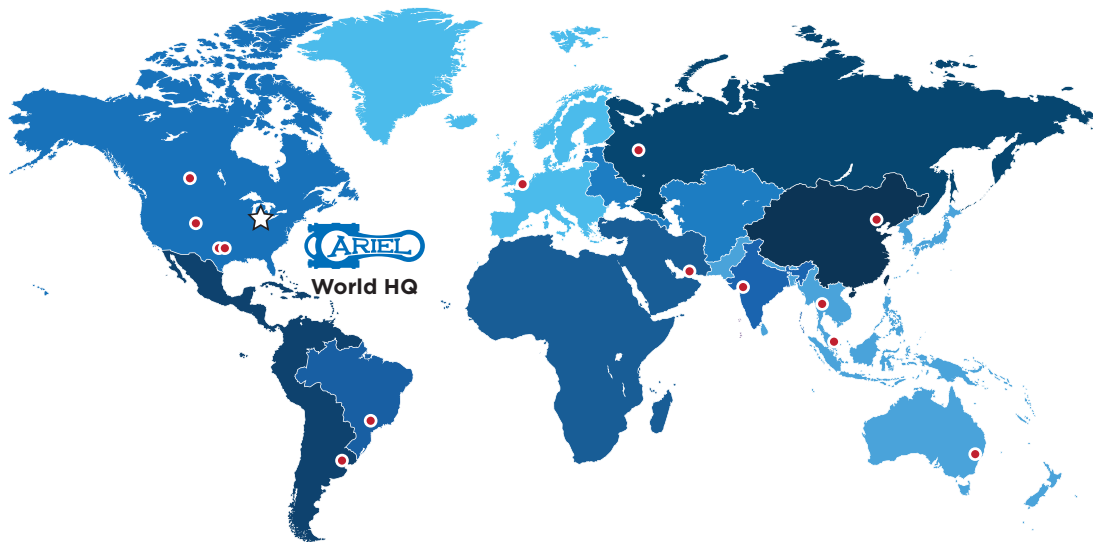
- Increased from current 1-1/4" NPT connection
- Ships with 3/4" vent tube installed



KBB/V

- Retains current 1-1/2" NPT connection
- Ships with steel plug installed

Ariel has the world covered with Compressors, Parts, and Comprehensive Support



24 Hour Support - North America: 888-397-7766 Worldwide: +1 740-397-3602