

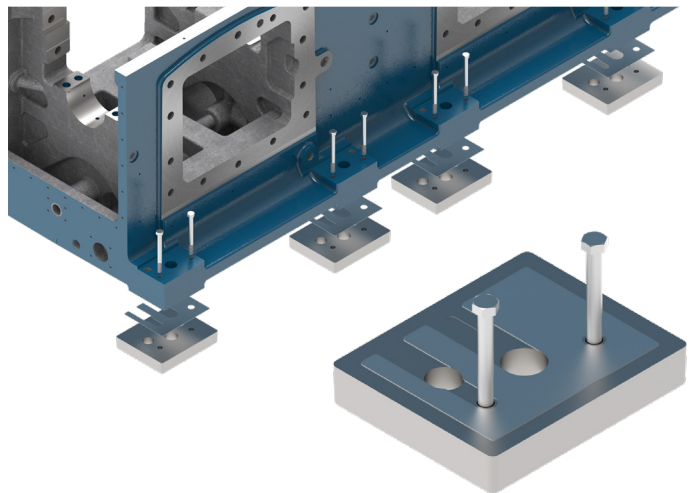
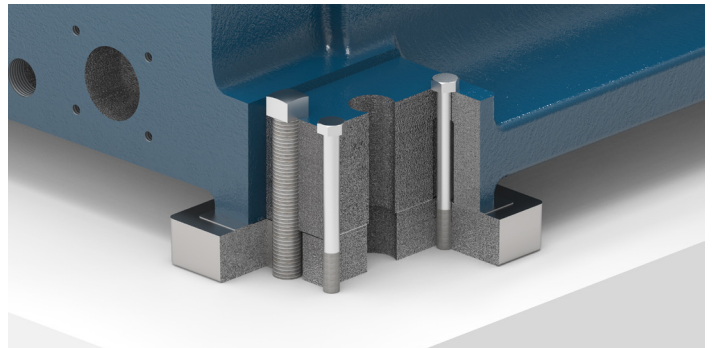


PRODUCT RELEASE ANNOUNCEMENT

COMPRESSOR MOUNTING - SOLE PLATES AND SHIM KITS

Precision sole plates and shim kits are now available from Ariel for the KBE:K:T and KBC:D:F compressor frames.

- Shims and plates are designed to fit each specific frame to provide the maximum amount of contact area with the foot.
- Sole plates and shims can help ensure mounting points are flat and parallel to the compressor feet; this avoids “soft-foot” and ensures compliance with Ariel Packager Standards.
- Frame mounting kits, containing sole plates and shims for each foot, are available options on new units through the Ariel Performance Program.
- Sole plates and shims are designed to match the jack, hold-down, and sole plate bolts for each foot.
- Sole plates include threaded holes for pull-up bolts allowing the plates to be fastened to the frame foot while pouring grout.
- Sole plates feature a textured surface for grout adhesion and generous radii to reduce grout cracks due to stress concentration.
- **Contact your authorized Ariel parts supplier for more information.**



Mounting Kits

- Sole plates, and shim sets are available per foot or as a sole plate-shim kit for all frame feet on a unit.
- Sole plate-shim kits include sole plates, sole plate bolts, and shim sets.
- Shim sets contain shims in the following quantities per foot: 3X .002”, 3X .003”, 1X .005”, 1X .010”, and 1X 0.020.

24 Hour Support: North America: **888.397.7766** Worldwide: **+1 740.397.3602**